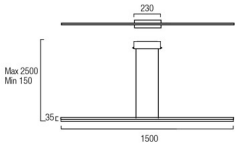


Circ Lineal 1500

00-2935-BW-M3

Josep Patsi



TECHNICAL FEATURES

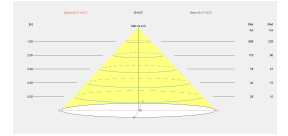
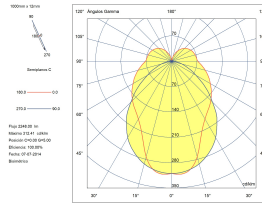


Power (W) : 27W
 Real lumens : 2248
 Real lm/W : 83
 Colour temperature : LED warm-white 3000K
 Lens / reflector angle : FLOOD 89°
 Structure material : Aluminium
 Structure finish : White
 Diffuser material : Methacrylate
 Diffuser finish : Tinted
 Useful life : 50.000h L80B20

Equipment included : Yes, electronic
 Voltage / frequency : 100-240VAC/50-60Hz
 Warranty : 2 Years
 Max. temperature : 25°C
 Energy efficiency : LED A++

LUMINOTECHNIC FEATURES

Light source: LED
 CRI: 80



LOGISTICS

Net weight (kg): 2.29
 Packaged weight (kg): 2.91
 Packaging: -mm x -mm x -mm





71-2241-00-00

Controller with remote control

Structure material: NA
Dimensions: 60 x NA x 114
Net weight (kg): 0.18

Luminaire

Code 00-2935-BW-M3
 Name Colgante CIRC 1.5m 27W led op

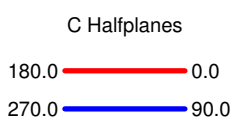
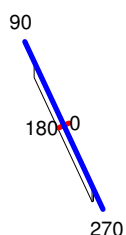
Measurerm.

Code 00-2934-BW-M3
 Name Colgante CIRC 1.5m 27W led op

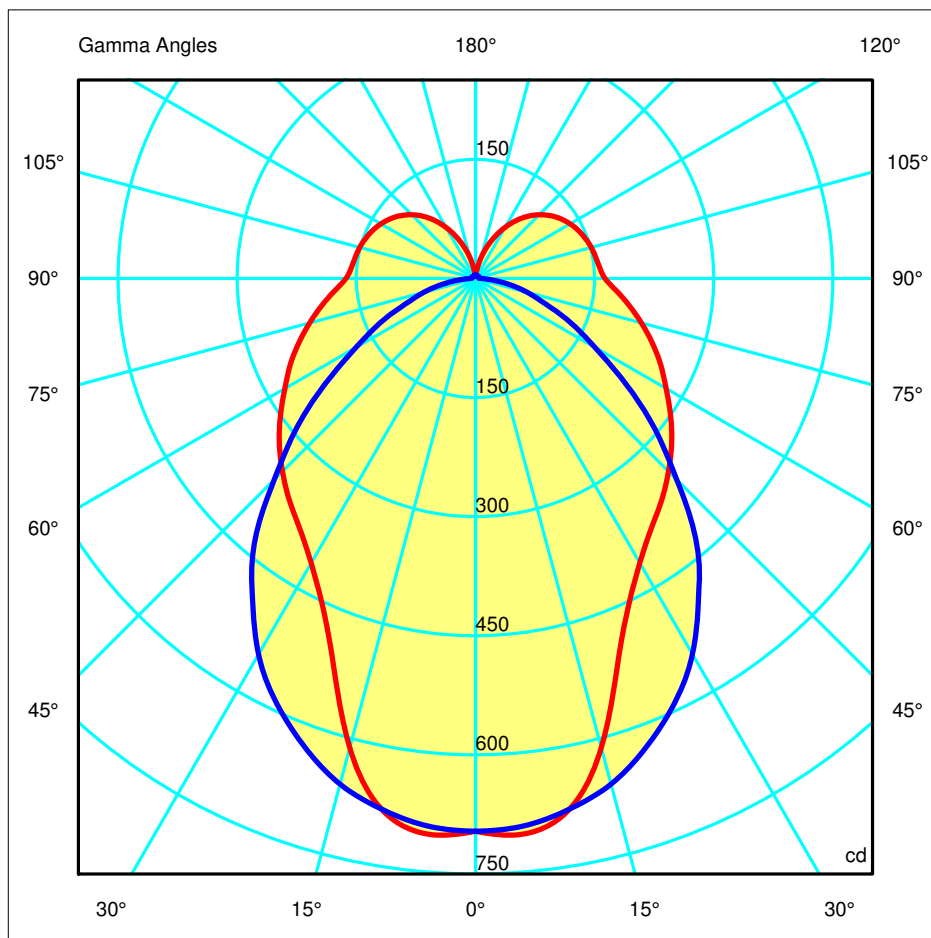
Luminaire Flux	2248.00 lm	Luminaire Power	27.00 W	Efficacy	83.26 lm/W	Efficiency	100.00%
Lamps Flux	2248.00 lm	Maximum value	702.31 cd	Position	C=0.00 G=5.00	CG	Double Symmetrical
Rectangular Luminaire Rectangular Luminous Area	Length Length	1000 mm 1000 mm	Width Width	12 mm 12 mm	Height Height	18 mm 18 mm	
Horizontal Luminous Area Emitting area on Plane 0° Emitting area on Plane 90°	0.012000 m2 0.018000 m2 0.000216 m2	Emitting area on Plane 180° Emitting area on Plane 270° Glare area at 76°	0.018000 m2 0.000216 m2 0.020368 m2				
Coordinate system Date Measurement Distance	CG 07-07-2014 0.00	Symmetry Type Maximum Gamma Angle Measurement Flux	Double Symmetrical 180 2248.08 lm				
Operator Temperature Humidity Notes	25.00 °C 60.00 %	Source voltage Source current Photocell					

Line	Code	Luminaire Lamps		Flux [lm]	Pow. [W]	Q.ty
		Name				
	00-2935-BW-M3	00-2935-BW-M3 - 27.00 W		2248.00	27.00	1
C.I.E. F UTE	44 70 88 78 100 0.78 E + 0.22 T	D DIN 5040 B NBN	B31 BZ 5			

1000mm x 12mm



ULOR 21.96 %
 DLOR 78.04 %
 RN 21.96 %



Luminaire

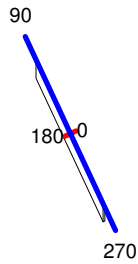
Code 00-2935-BW-M3
 Name Colgante CIRC 1.5m 27W led op

Measurem.

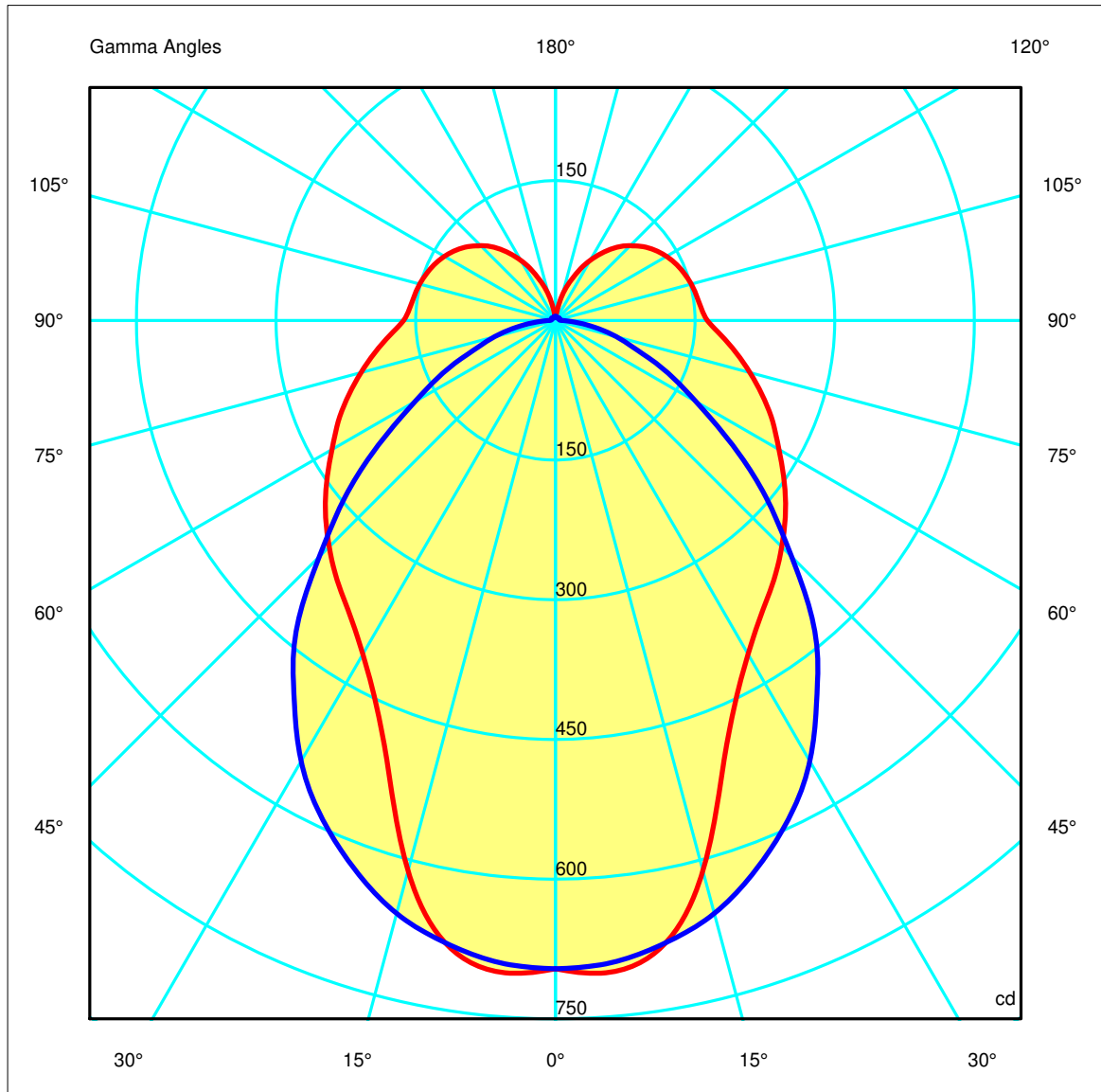
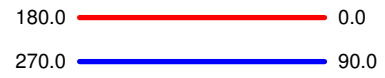
Code 00-2934-BW-M3
 Name Colgante CIRC 1.5m 27W led op

Luminaire Flux	2248.00 lm	Luminaire Power	27.00 W	Efficacy	83.26 lm/W	Efficiency	100.00%
Lamps Flux	2248.00 lm	Maximum value	702.31 cd	Position	C=0.00 G=5.00	CG	Double Symmetrical

1000mm x 12mm



C Halfplanes



Luminaire

Code 00-2935-BW-M3
 Name Colgante CIRC 1.5m 27W led op

Measur.

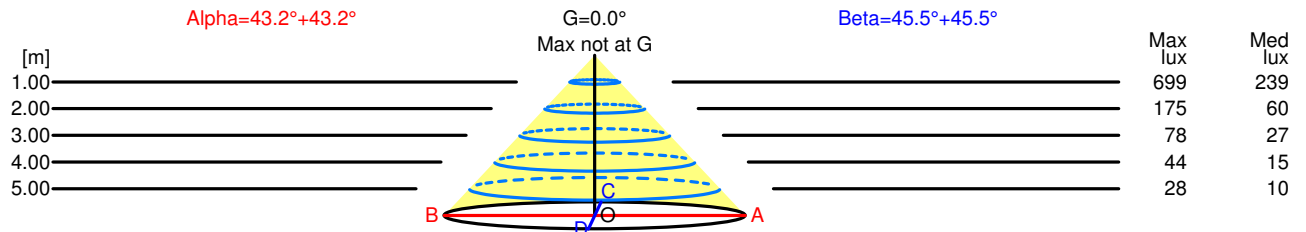
Code 00-2934-BW-M3
 Name Colgante CIRC 1.5m 27W led op

Luminaire Flux	2248.00 lm	Luminaire Power	27.00 W	Efficacy	83.26 lm/W	Efficiency	100.00%
Lamps Flux	2248.00 lm	Maximum value	702.31 cd	Position	C=0.00 G=5.00	CG	Double Symmetrical

Width at 50.00 % of Max Intensity

H[m]	1.00	2.00	3.00	4.00	5.00	H[m]	1.00	2.00	3.00	4.00	5.00
OA	0.94	1.88	2.82	3.76	4.70	OC	1.02	2.04	3.06	4.07	5.09
OB	0.94	1.88	2.82	3.76	4.70	OD	1.02	2.04	3.06	4.07	5.09

	Luminous Intensities [cd]									
	0	5	15	25	35	45	55	65	75	85
OA	696.21	702.31	612.17	455.50	385.38	343.68	299.91	257.44	216.26	178.05
OB	696.21	702.31	612.17	455.50	385.38	343.68	299.91	257.44	216.26	178.05
OC	696.21	692.10	659.21	591.40	489.73	358.50	230.81	133.03	67.85	20.96
OD	696.21	692.10	659.21	591.40	489.73	358.50	230.81	133.03	67.85	20.96



H[m]	D[m]	Max lux	Med lux	Alpha=43.2°+43.2°	G=0,0 Max not at G	
1.00	1.88	699	239			
2.00	3.76	175	60			
3.00	5.63	78	27			
4.00	7.51	44	15			
5.00	9.39	28	10			

H[m]	D[m]	Max lux	Med lux	Beta=45.5°+45.5°	G=0,0 Max not at G	
1.00	2.04	699	239			
2.00	4.07	175	60			
3.00	6.11	78	27			
4.00	8.15	44	15			
5.00	10.18	28	10			

Luminaire

Code 00-2935-BW-M3
 Name Colgante CIRC 1.5m 27W led op

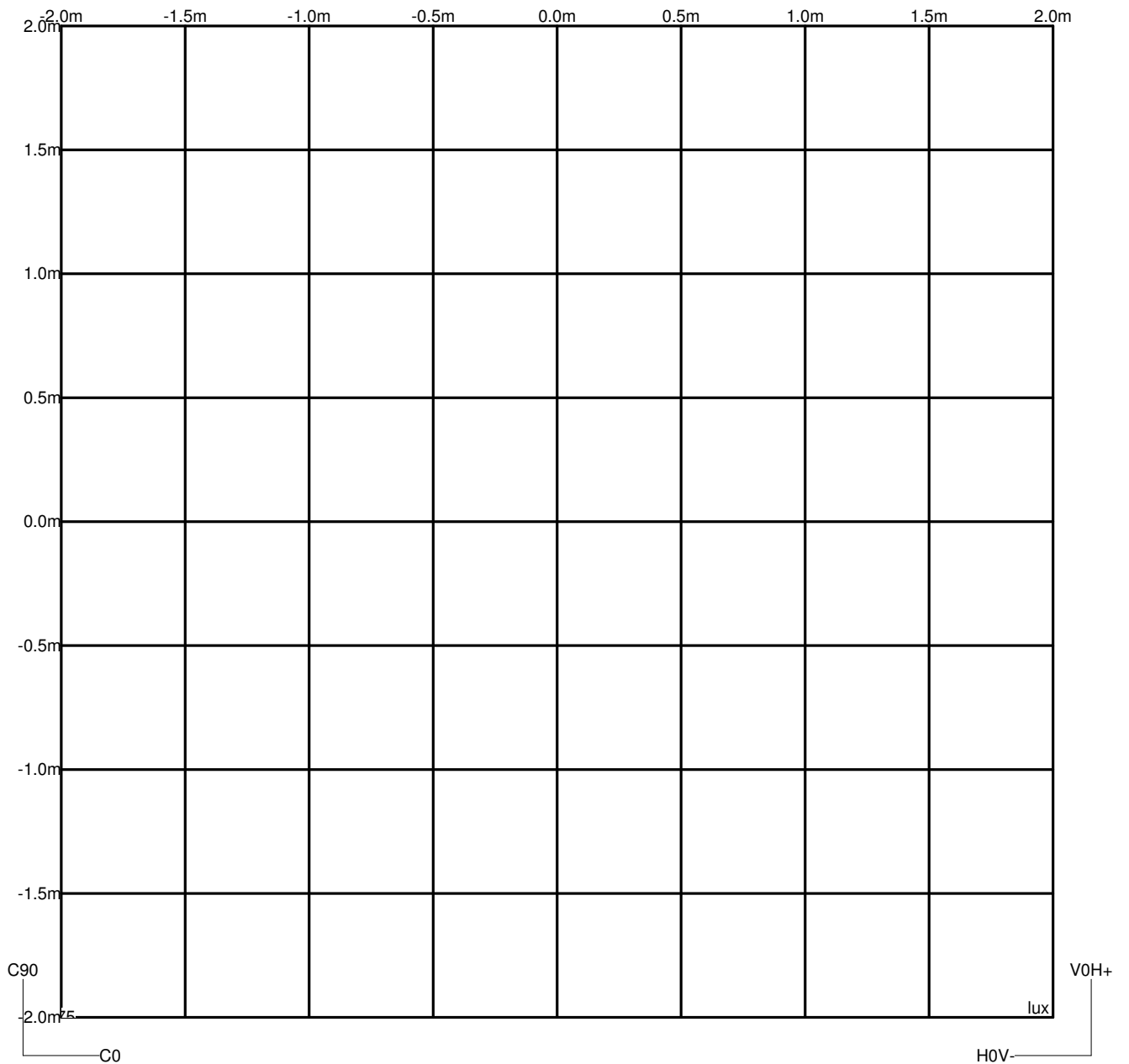
Measurem.

Code 00-2934-BW-M3
 Name Colgante CIRC 1.5m 27W led op

Luminaire Flux	2248.00 lm	Luminaire Power	27.00 W	Efficacy	83.26 lm/W	Efficiency	100.00%
Lamps Flux	2248.00 lm	Maximum value	702.31 cd	Position	C=0.00 G=5.00	CG	Double Symmetrical

Isolux (Floor)

Luminaire position X=0.00m Y=0.00m Z=2.50m



Luminaire

Code 00-2935-BW-M3
 Name Colgante CIRC 1.5m 27W led op

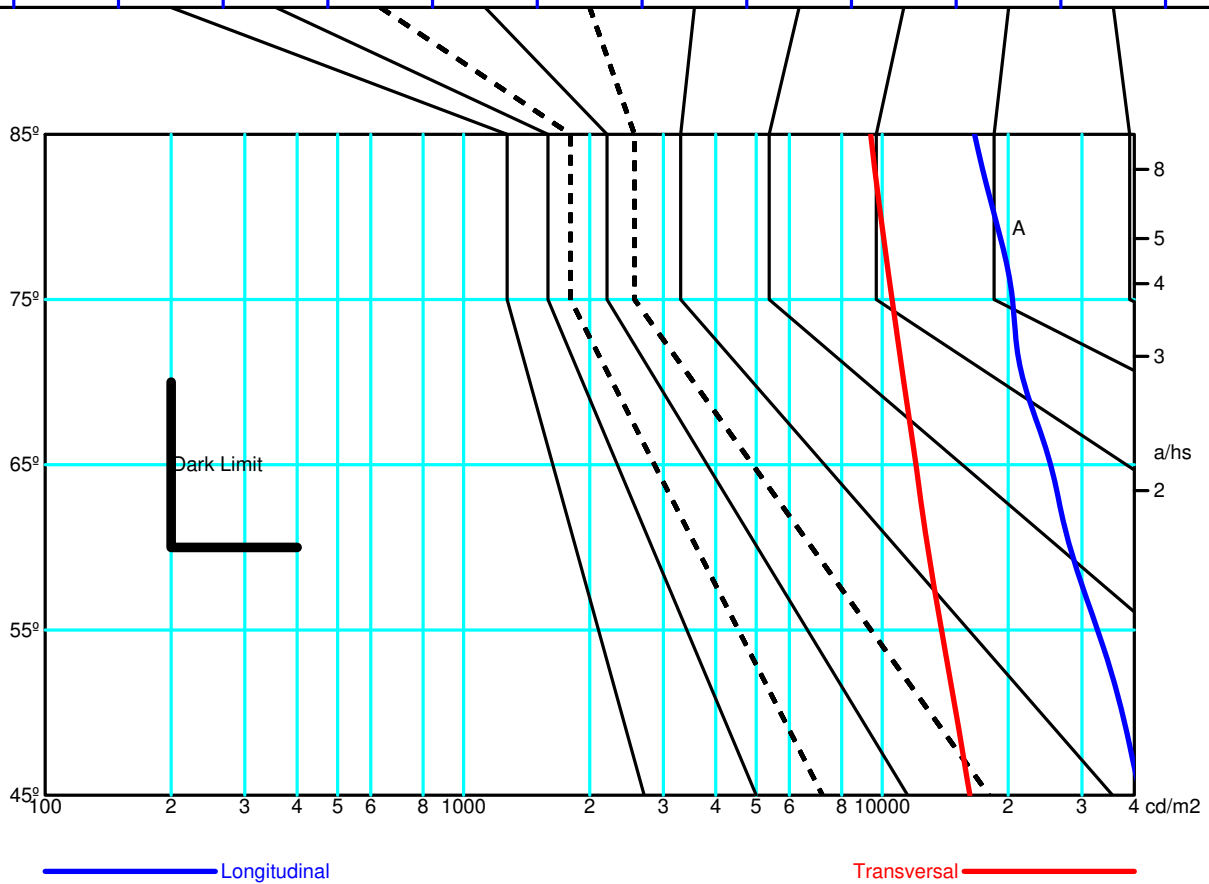
Measurment

Code 00-2934-BW-M3
 Name Colgante CIRC 1.5m 27W led op

Luminaire Flux	2248.00 lm	Luminaire Power	27.00 W	Efficacy	83.26 lm/W	Efficiency	100.00%
Lamps Flux	2248.00 lm	Maximum value	702.31 cd	Position	C=0.00 G=5.00	CG	Double Symmetrical

		Average Luminance [cd/m ²]									
		45°	50°	55°	60°	65°	70°	75°	80°	85°	
0.0°	16201	14993	13867	12836	12039	11266	10553	9927	9382	---	
90.0°	41503	37432	32693	28084	25257	21777	20470	18583	16625	---	

Flush mounted or longitudinal view												
		Illumination(lx)										
A	A	2000	1000	750	500		<300					1.15
B	1		2000	1500	1000	750	500	<300				1.5
C					2000		1000	500	<300			1.85
D	2						2000	1000	500	<300		2.2
E	3							2000	1000	500	<300	2.55



Luminaire

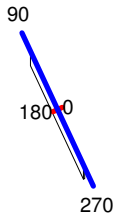
Code 00-2935-BW-M3
 Name Colgante CIRC 1.5m 27W led op

Measurem.

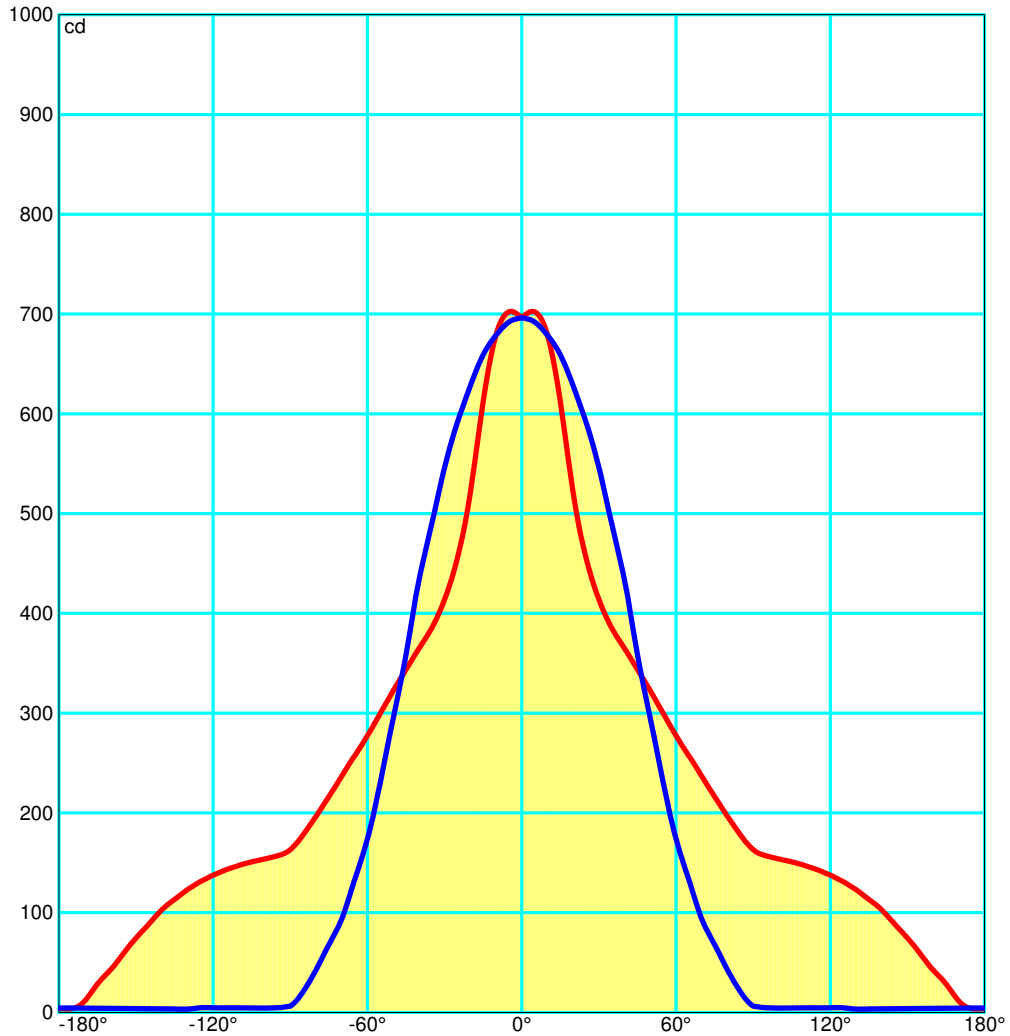
Code 00-2934-BW-M3
 Name Colgante CIRC 1.5m 27W led op

Luminaire Flux	2248.00 lm	Luminaire Power	27.00 W	Efficacy	83.26 lm/W	Efficiency	100.00%
Lamps Flux	2248.00 lm	Maximum value	702.31 cd	Position	C=0.00 G=5.00	CG	Double Symmetrical

1000mm x 12mm



C Halfplanes
 180.0 ———— 0.0
 270.0 ———— 90.0



Luminaire

Code 00-2935-BW-M3
 Name Colgante CIRC 1.5m 27W led op

Measurement

Code 00-2934-BW-M3
 Name Colgante CIRC 1.5m 27W led op

Luminaire Flux	2248.00 lm	Luminaire Power	27.00 W	Efficacy	83.26 lm/W	Efficiency	100.00%
Lamps Flux	2248.00 lm	Maximum value	702.31 cd	Position	C=0.00 G=5.00	CG	Double Symmetrical

UGR
 S = 0.250

Reflectancies										
Ceiling/Cavity	0.7	0.7	0.5	0.5	0.3	0.7	0.7	0.5	0.5	0.3
Walls	0.5	0.3	0.5	0.3	0.3	0.5	0.3	0.5	0.3	0.3
WorkingPlane	0.2	0.2	0.2	0.2	0.2	0.2	0.2	0.2	0.2	0.2
RoomDimensions	ViewedCrosswise					ViewedEndwise				
x=2H y=2H	20.1	21.2	20.7	21.8	23.3	21.0	22.1	21.5	22.6	23.3
x=2H y=3H	22.0	23.0	22.6	23.6	24.6	22.3	23.3	22.9	23.9	24.6
x=2H y=4H	22.9	23.9	23.6	24.5	25.1	22.8	23.8	23.4	24.4	25.1
x=2H y=6H	23.8	24.7	24.5	25.4	25.6	23.3	24.2	23.9	24.8	25.6
x=2H y=8H	24.3	25.1	24.9	25.8	25.7	23.4	24.3	24.1	24.9	25.7
x=2H y=12H	24.7	25.5	25.4	26.2	25.8	23.5	24.4	24.2	25.0	25.8
x=4H y=2H	20.8	21.8	21.4	22.4	23.8	21.5	22.4	22.1	23.0	23.8
x=4H y=3H	22.9	23.7	23.6	24.4	25.3	23.0	23.8	23.7	24.5	25.3
x=4H y=4H	24.0	24.7	24.7	25.4	26.0	23.8	24.5	24.5	25.2	26.0
x=4H y=6H	25.1	25.7	25.8	26.4	26.6	24.4	25.0	25.1	25.7	26.6
x=4H y=8H	25.6	26.2	26.3	26.9	26.8	24.6	25.2	25.4	26.0	26.8
x=4H y=12H	26.1	26.7	26.9	27.4	27.0	24.8	25.4	25.6	26.1	27.0
x=8H y=4H	24.4	25.0	25.2	25.8	26.4	24.2	24.8	25.0	25.5	26.4
x=8H y=6H	25.7	26.2	26.5	27.0	27.3	25.1	25.6	25.9	26.3	27.3
x=8H y=8H	26.4	26.8	27.2	27.6	27.6	25.5	26.0	26.3	26.7	27.6
x=8H y=12H	27.1	27.4	27.8	28.2	27.9	25.8	26.2	26.6	27.0	27.9
x=12H y=4H	24.5	25.0	25.2	25.8	26.5	24.3	24.8	25.1	25.6	26.5
x=12H y=6H	25.9	26.3	26.6	27.1	27.4	25.3	25.7	26.1	26.5	27.4
x=12H y=8H	26.6	27.0	27.4	27.8	27.9	25.8	26.2	26.6	27.0	27.9

Luminaire

Code 00-2935-BW-M3
 Name Colgante CIRC 1.5m 27W led op

Measurerm.

Code 00-2934-BW-M3
 Name Colgante CIRC 1.5m 27W led op

Luminaire Flux	2248.00 lm	Luminaire Power	27.00 W	Efficacy	83.26 lm/W	Efficiency	100.00%
Lamps Flux	2248.00 lm	Maximum value	702.31 cd	Position	C=0.00 G=5.00	CG	Double Symmetrical

Total Flux=2248.00 Luminaire Flux=2248.00

RI	0.60	0.80	1.00	1.25	1.50	2.00	2.50	3.00	4.00	5.00	10.00	20.00
DRR	0.29	0.37	0.43	0.49	0.54	0.62	0.68	0.72	0.77	0.80	0.88	0.93
RC	5	5	6	6	6	6	6	6	7	7	7	7

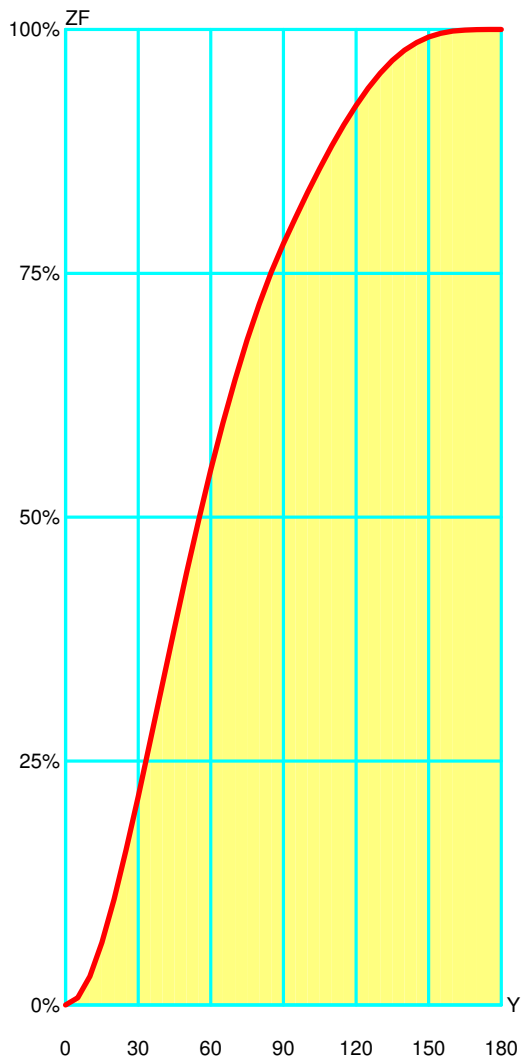
Zonal Flux per 1000 Lumen

Y°	10	20	30	40	50	60	70	80	90	100	110	120	130	140	150	160	170	180
ZF(Y)	29	108	214	329	443	549	641	718	780	833	881	922	955	979	992	998	1000	1000

CIE Flux Codes

44 70 88 78 100

C.I.E.	5/5/6/6/6/6/6/7/7/7/7	LOR	99.99999 %
D DIN 5040	B31	ULOR	21.96259 %
F UTE	0.78 E + 0.22 T	DLOR	78.03740 %
B NBN	BZ 5	UFF	21.96259 %
RN	21.96259 %	DFF	78.03741 %
BLF	1.0	FFR	28.14367 %



Gamma °	Zonal Flux			
	Flux	Sum lm	Flux [%]	Sum [%]
0°	0.00	0.00	0.00%	0.00 %
5°	7.41	7.41	0.74 %	0.74 %
10°	21.93	29.34	2.19 %	2.93 %
15°	34.68	64.02	3.47 %	6.40 %
20°	44.26	108.28	4.43 %	10.83 %
25°	50.66	158.94	5.07 %	15.89 %
30°	54.70	213.64	5.47 %	21.36 %
35°	57.09	270.73	5.71 %	27.07 %
40°	58.13	328.86	5.81 %	32.89 %
45°	57.84	386.70	5.78 %	38.67 %
50°	56.45	443.15	5.64 %	44.32 %
55°	54.15	497.30	5.42 %	49.73 %
60°	51.24	548.55	5.12 %	54.85 %
65°	47.95	596.49	4.79 %	59.65 %
70°	44.43	640.92	4.44 %	64.09 %
75°	40.71	681.63	4.07 %	68.16 %
80°	36.80	718.43	3.68 %	71.84 %
85°	32.82	751.25	3.28 %	75.13 %
90°	29.12	780.37	2.91 %	78.04 %
95°	26.82	807.20	2.68 %	80.72 %
100°	25.71	832.91	2.57 %	83.29 %
105°	24.59	857.50	2.46 %	85.75 %
110°	23.23	880.73	2.32 %	88.07 %
115°	21.61	902.34	2.16 %	90.23 %
120°	19.76	922.10	1.98 %	92.21 %
125°	17.68	939.78	1.77 %	93.98 %
130°	15.40	955.18	1.54 %	95.52 %
135°	12.97	968.15	1.30 %	96.81 %
140°	10.43	978.58	1.04 %	97.86 %
145°	7.96	986.54	0.80 %	98.65 %
150°	5.71	992.25	0.57 %	99.22 %
155°	3.77	996.01	0.38 %	99.60 %
160°	2.23	998.24	0.22 %	99.82 %
165°	1.12	999.36	0.11 %	99.94 %
170°	0.44	999.80	0.04 %	99.98 %
175°	0.15	999.96	0.02 %	100.00 %
180°	0.04	1000.00	0.00 %	100.00 %

Luminaire

Code 00-2935-BW-M3
 Name Colgante CIRC 1.5m 27W led op

Measurement

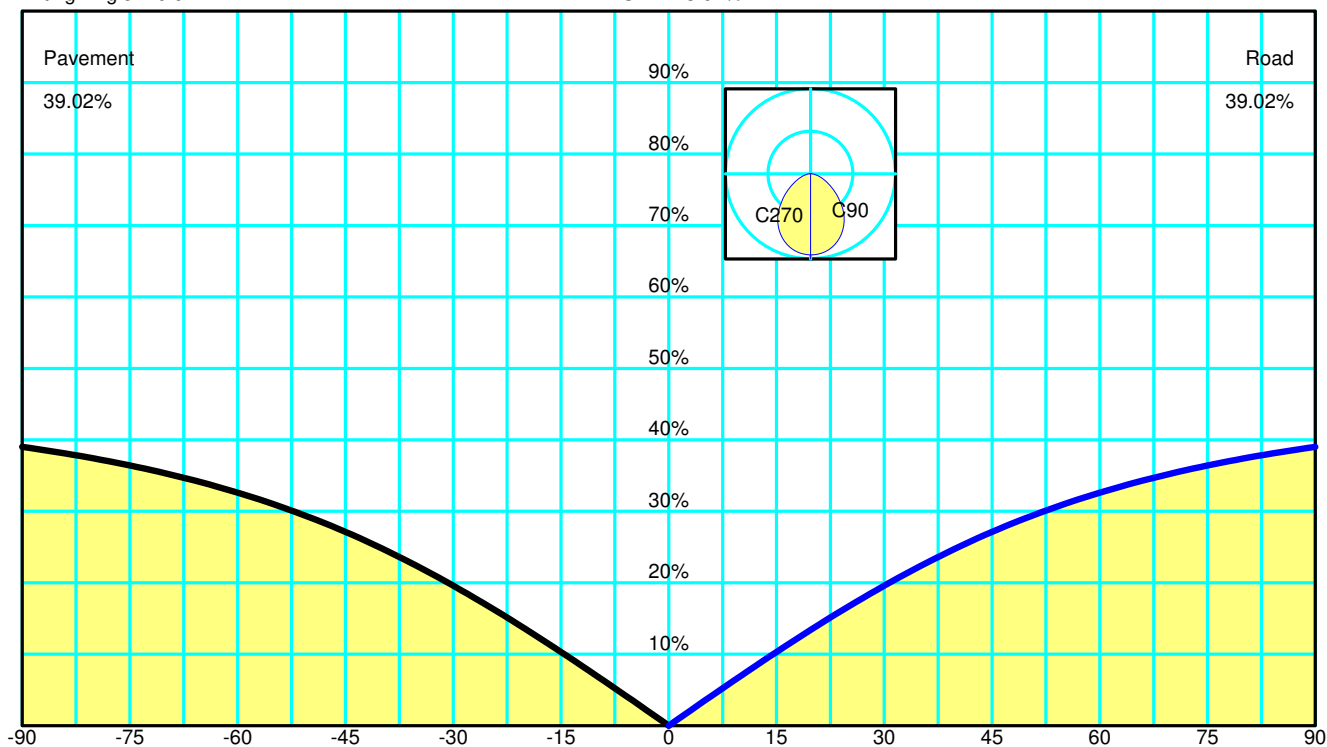
Code 00-2934-BW-M3
 Name Colgante CIRC 1.5m 27W led op

Luminaire Flux	2248.00 lm	Luminaire Power	27.00 W	Efficacy	83.26 lm/W	Efficiency	100.00%
Lamps Flux	2248.00 lm	Maximum value	702.31 cd	Position	C=0.00 G=5.00	CG	Double Symmetrical

Pavement			Road		
Piano	0	0.00%	Piano	0	0.00%
Piano	-5	3.50%	Piano	5	3.50%
Piano	-10	6.94%	Piano	10	6.94%
Piano	-15	10.31%	Piano	15	10.31%
Piano	-20	13.56%	Piano	20	13.56%
Piano	-25	16.66%	Piano	25	16.66%
Piano	-30	19.59%	Piano	30	19.59%
Piano	-35	22.32%	Piano	35	22.32%
Piano	-40	24.84%	Piano	40	24.84%
Piano	-45	27.12%	Piano	45	27.12%
Piano	-50	29.16%	Piano	50	29.16%
Piano	-55	30.99%	Piano	55	30.99%
Piano	-60	32.61%	Piano	60	32.61%
Piano	-65	34.04%	Piano	65	34.04%
Piano	-70	35.30%	Piano	70	35.30%
Piano	-75	36.41%	Piano	75	36.41%
Piano	-80	37.40%	Piano	80	37.40%
Piano	-85	38.26%	Piano	85	38.26%
Piano	-90	39.02%	Piano	90	39.02%

Tilting Angle = 0.0

DLOR = 78.04%



Spread	20.0° Narrow	DLOR	78.03740 %
Throw	6.8° Short	ULOR	21.96259 %
SLI (glare)	1.1 Limited	Efficiency	99.99999 %
CIE Cutoff	----	RN	21.96259 %
Iesna Cutoff	Non Cutoff	Luminous Intensity Class	GU
DIN5044	--	Glare Index	D4

IESNA Type II Very Short Asymmetrical

Luminaire

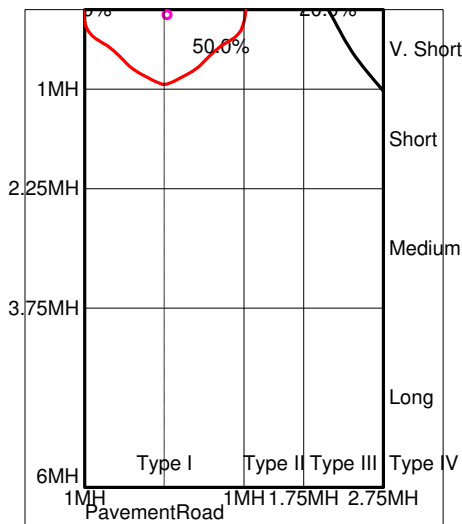
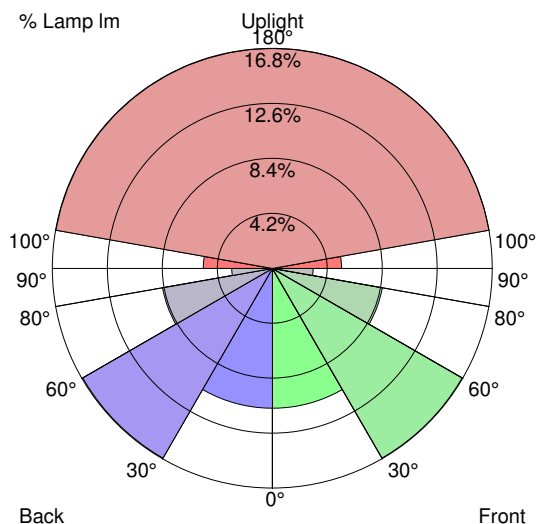
 Code 00-2935-BW-M3
 Name Colgante CIRC 1.5m 27W led op

Measurement

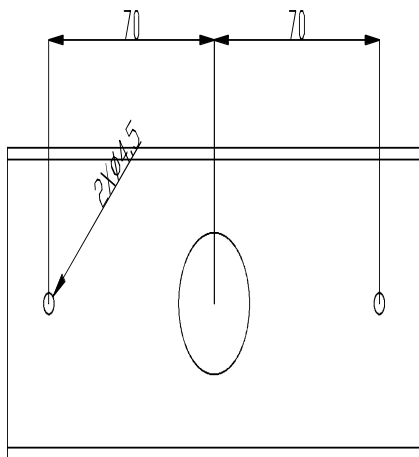
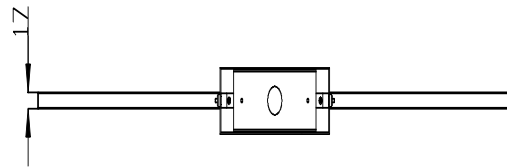
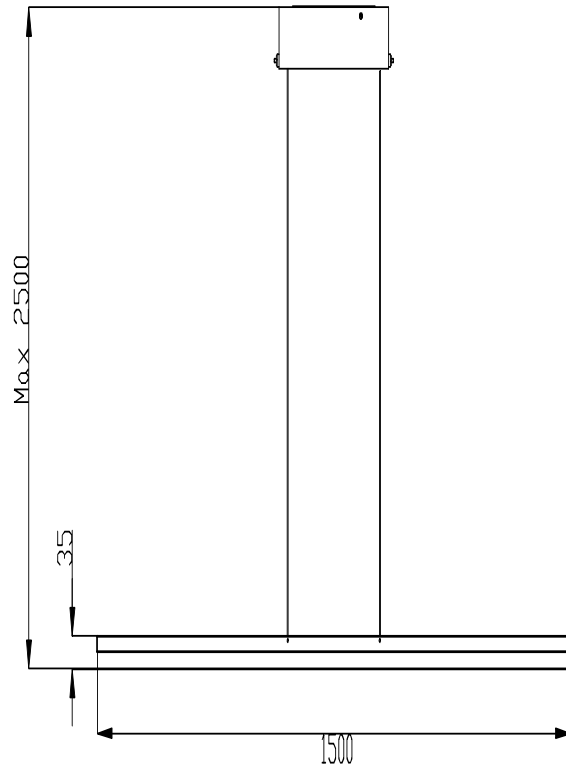
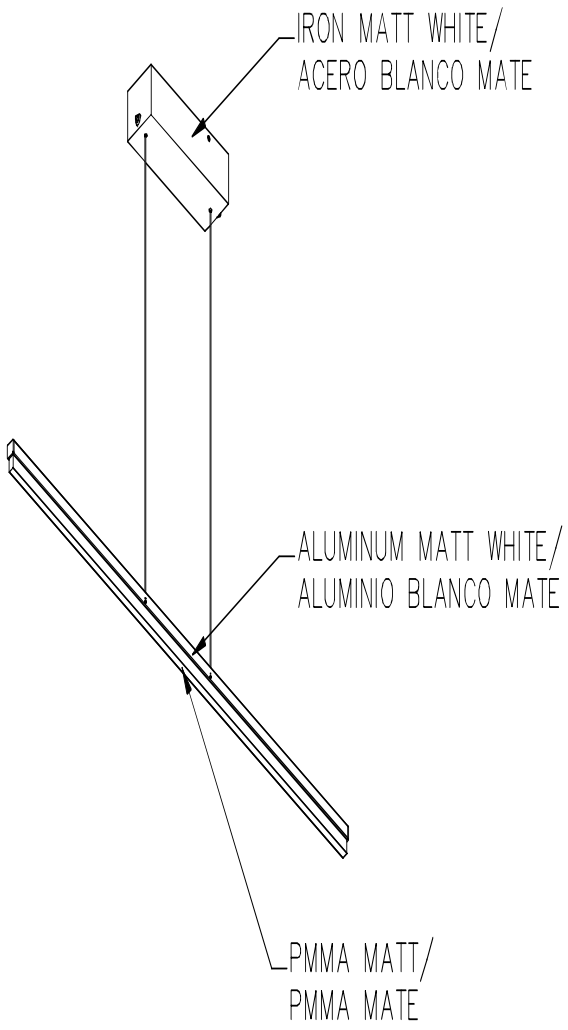
 Code 00-2934-BW-M3
 Name Colgante CIRC 1.5m 27W led op

Luminaire Flux	2248.00 lm	Luminaire Power	27.00 W	Efficacy	83.26 lm/W	Efficiency	100.00%
Lamps Flux	2248.00 lm	Maximum value	702.31 cd	Position	C=0.00 G=5.00	CG	Double Symmetrical

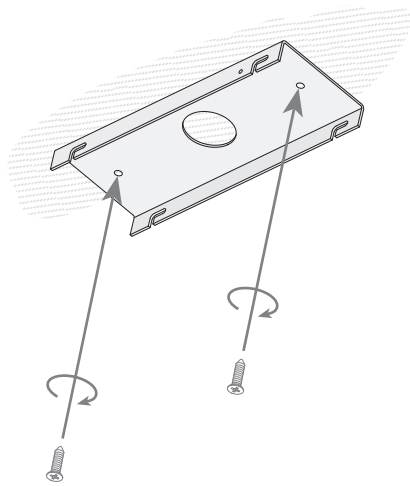
US ROAD STANDARDS



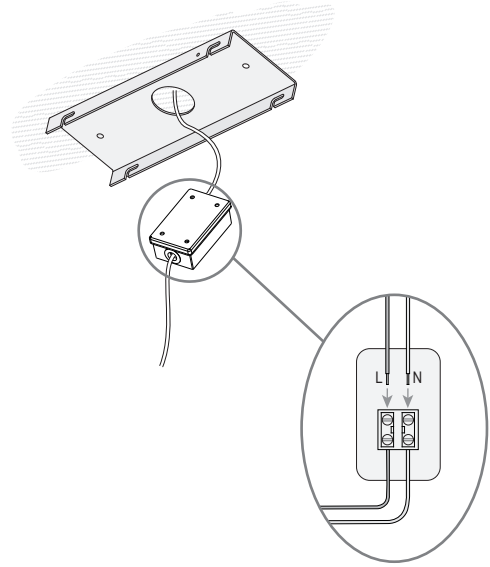
Luminaire Classification System (LCS)			
LCS Zone		Lumens	%Lamp %Lum
FL	0° -- 30°	2404.1 lm	10.7 % 10.7 %
FM	30° -- 60°	3767.0 lm	16.7 % 16.7 %
FH	60° -- 80°	1917.4 lm	8.5 % 8.5 %
FVH	80° -- 90°	699.5 lm	3.1 % 3.1 %
BL	0° -- 30°	2404.1 lm	10.7 % 10.7 %
BM	30° -- 60°	3767.0 lm	16.7 % 16.7 %
BH	60° -- 80°	1917.4 lm	8.5 % 8.5 %
BVH	80° -- 90°	699.5 lm	3.1 % 3.1 %
UL	90° -- 100°	1189.1 lm	5.3 % 5.3 %
UH	100° -- 180°	3781.9 lm	16.8 % 16.8 %
TOTALS		22547.1 lm	100.0 % 100.0 %
BUG B3 U5 G4 Type II Very Short Asymmetrical			



1

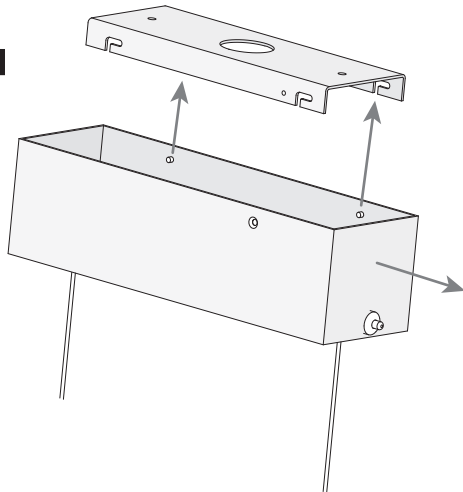


2

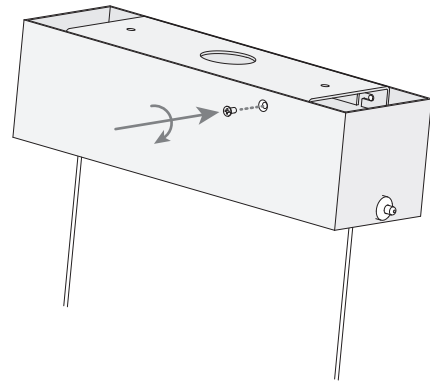


3

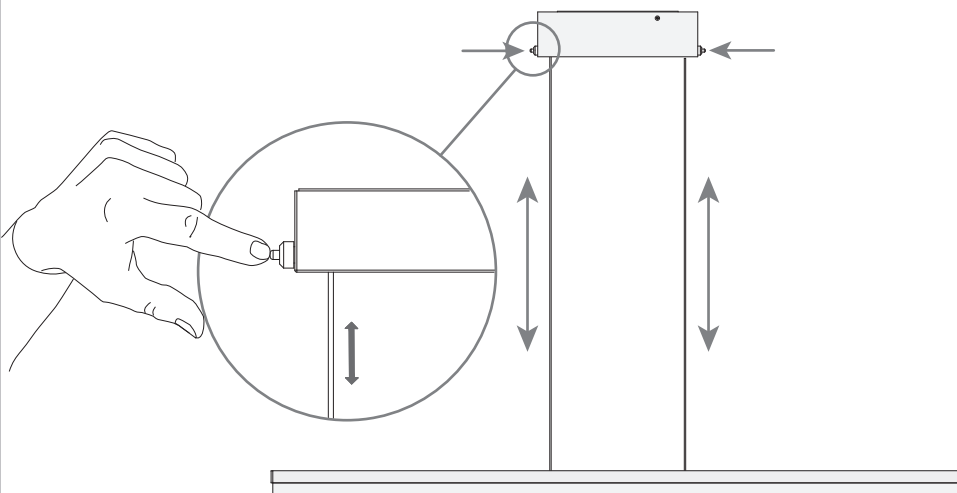
3.1



3.2



4



5

